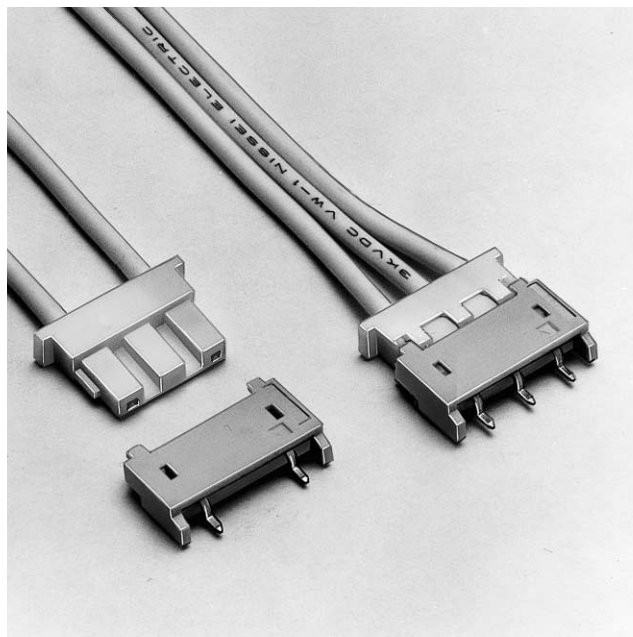
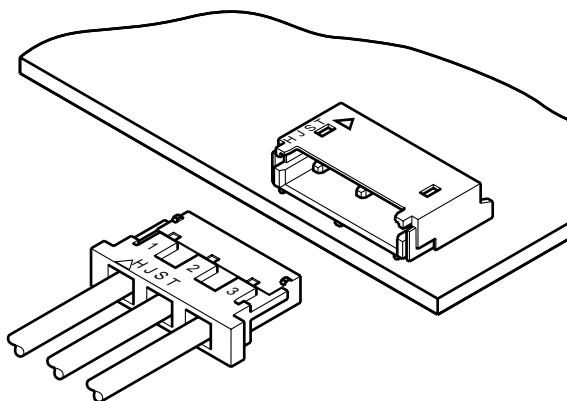


BH CONNECTOR

Disconnectable Crimp style connectors



Low profile connectors with high withstanding voltage, designed for connecting liquid crystal display back light lamps to their starters.



Features

• Low profile

Allows liquid crystal displays to be thinner, with only 3.2mm (.126").

• SMT configuration

Shrouded headers are SMT style, suited for high density mounting. The headers feature reinforcing solder tabs to prevent lifting of the header during mating and unmating.

• Applicable to special wires

Its crimp style contact can be inserted into the housing with little force, thus making them suitable for use with flexible wires such as those insulated with silicone rubber.

• Headers with locating bosses

Headers with locating bosses are also available at option.

• Housing lock also serves as polarizing device

The housing lock, which is also designed to be a polarizing device, prevents both misinsertion and accidental disengagement due to vibration or shock.

Specifications

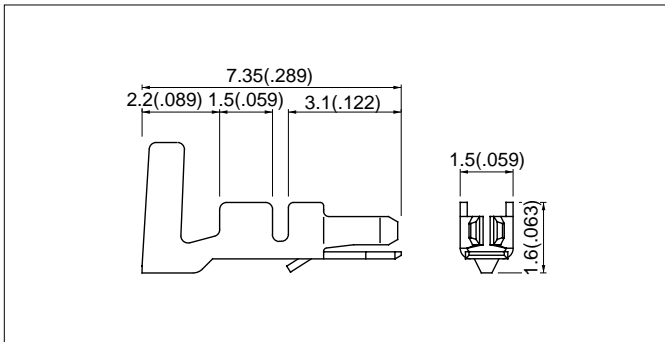
- Current rating: 1.0A AC, DC (AWG#22)
- Voltage rating: 600V AC, DC
- Temperature range: -25°C to +85°C
(including temperature rise in applying electrical current)
- Contact resistance: Initial value/10m Ω max.
After environmental testing/20m Ω max.
- Insulation resistance: 1,000M Ω min.
- Withstanding voltage: 1,800V AC/minute
- Applicable wire: AWG #28 to #22
- * Contact JST if Lead-Free product is required.
- * Refer to "General Instruction and Notice when using Terminals and Connectors" at the end of this catalog.
- * Contact JST for details.

Standards

Ⓡ Recognized E60389

Ⓢ Certified LR20812

Contact



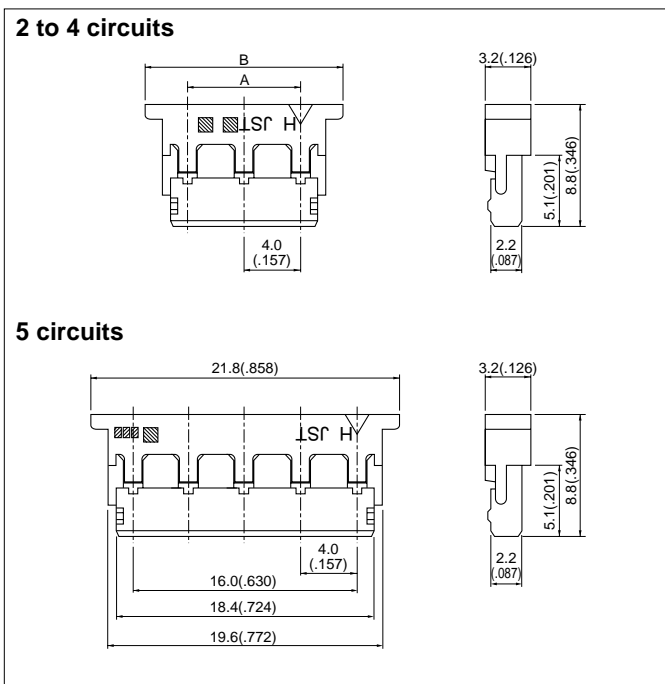
Model No.	Applicable wire			Q'ty / reel
	mm ²	AWG #	Insulation O.D. min(in.)	
SBH-001T-P0.5	0.08 to 0.33	28 to 22	1.6 to 2.4(.063 to .094)	4,000

Material and Finish

Phosphor bronze, tin-plated

Note: Wire conductors should be tin-plated annealed copper strands.

Housing



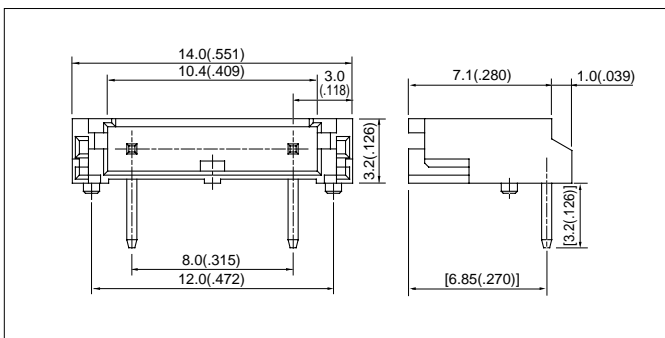
Circuits	Pitch mm(in.)	Model No.	Dimensions mm(in.)		Q'ty / bag
			A	B	
2	4.0(.157)	BHR-02VS-1	4.0(.157)	9.8(.386)	1,000
	8.0(.315)	BHR-03VS-1	8.0(.315)	13.8(.543)	1,000
	8.0(.315)	BHR-02(8.0)VS-1N	8.0(.315)	13.8(.543)	1,000
	12.0(.472)	BHR-04VS-1	12.0(.472)	17.8(.701)	1,000
3	4.0(.157)	BHR-03VS-1	8.0(.315)	13.8(.543)	1,000
	4.0(.157)	BHR-03(4-3)VS-1N	12.0(.472)	17.8(.701)	1,000
4	4.0(.157)	BHR-04VS-1	12.0(.472)	17.8(.701)	1,000
5	4.0(.157)	BHR-05VS-1	16.0(.630)	21.8(.858)	1,000

Material

Nylon 66, UL94V-0, natural (white)

Note: 1. BHR-02(8.0)VS-1N: 2 circuits 8.0mm(.315") pitch plugged up.
2. BHR-03(4-3)VS-1N: 4 circuits 4.0mm(.157") pitch header with circuit No.3 plugged up.

Through-hole type shrouded header

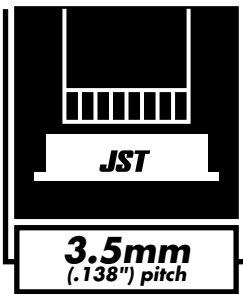


Circuits	Pitch mm(in.)	Model No.	Q'ty / tray
2	8.0(.315)	S02(8.0)B-BHS	1,000

Material and Finish

Post: Copper alloy, copper-undercoated, tin/lead-plated
Wafer: Polyamide resin, UL94V-0, natural (ivory)

Note: The applicable housing is "BHR-02(8.0)VS-1N" only.



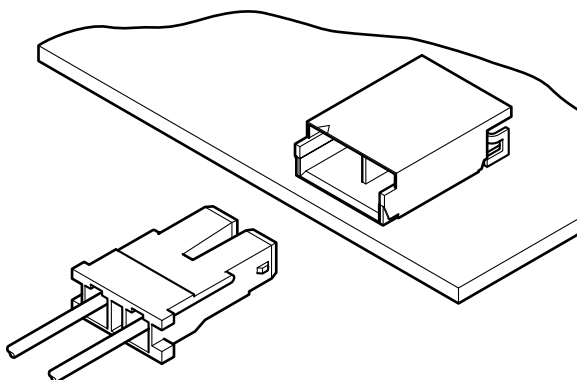
BHS CONNECTOR



Disconnectable Crimp style connectors



Low profile connectors with high withstanding voltage, designed for connecting liquid crystal display backlight lamps to their starters.



Features

• **Low profile**

Allows liquid crystal displays to be thinner, only 3.2mm (.126").

• **SMT configuration**

Shrouded headers are SMT style, suited for high density mounting. The headers feature reinforcing solder tabs to prevent lifting of the header during mating and unmating.

• **Applicable to special wires**

Its crimp style contact can be inserted into the housing with little force, thus making them suitable for use with flexible wires such as those insulated with silicone rubber.

• **Housing lock also serves as polarizing device**

The housing lock, which is also designed to be a polarizing device, prevents both misinsertion and accidental disengagement due to vibration or shock.

• **Adopt wide large for socket contact**

In order to correspond to miniaturization and high voltage, wide large for socket contact is adopted.

Specifications

- Current rating: 1.0A AC, DC (AWG #24)
 - Voltage rating: 1,400V AC, DC
 - Temperature range: -25°C to +85°C
(including temperature rise in applying electrical current)
 - Contact resistance: Initial value/10m Ω max.
After environmental testing/20m Ω max.
 - Insulation resistance: 1,000M Ω min.
 - Withstanding voltage: 3,800V AC/minute
 - Applicable wire: AWG #28 to #24
Insulation O.D./0.9 to 1.7mm (.035" to .067")
- * Contact JST if Lead-Free product is required.
* Refer to "General Instruction and Notice when using Terminals and Connectors" at the end of this catalog.
* Contact JST for details.

Standards

Ⓜ Recognized E60389

Ⓢ Certified LR20812

